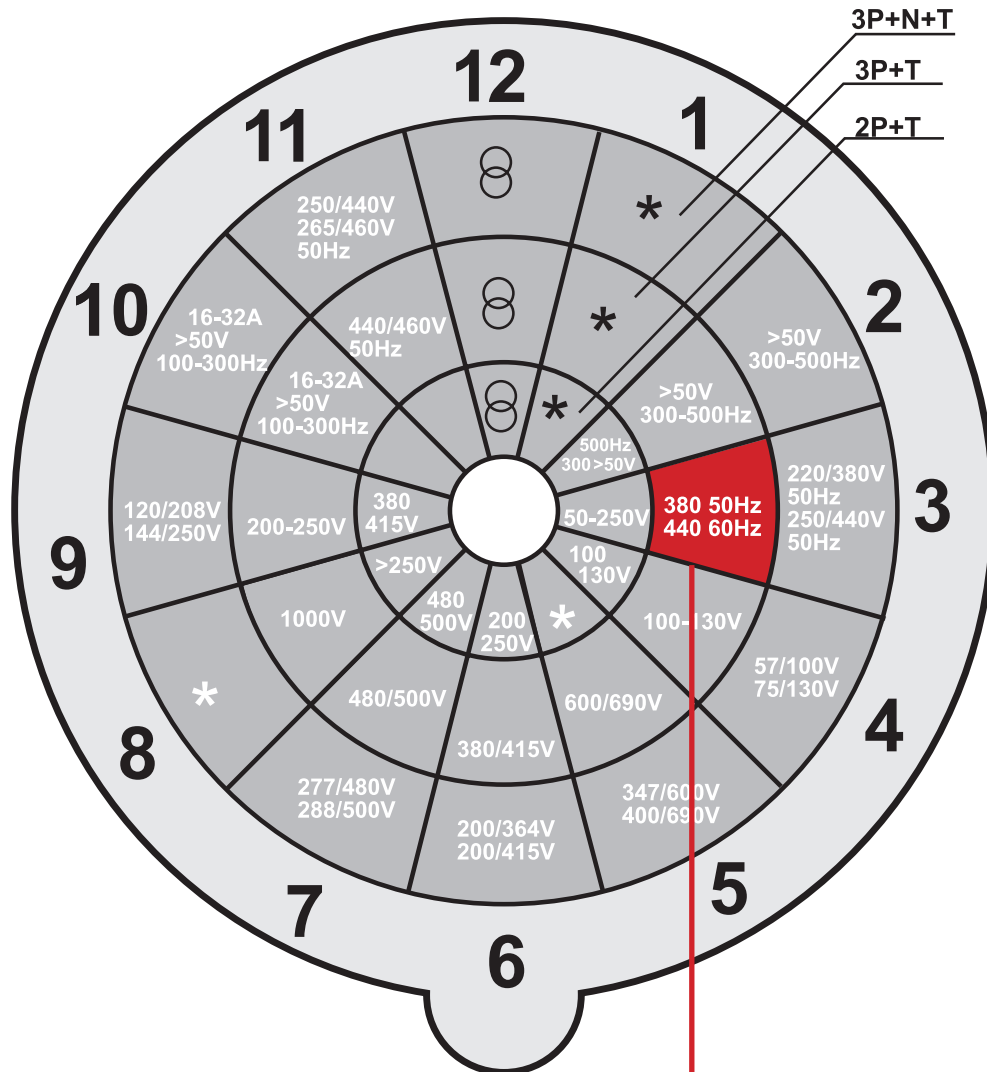


famatel
PROFESSIONAL

Container plugs and sockets **SpeedPRO**

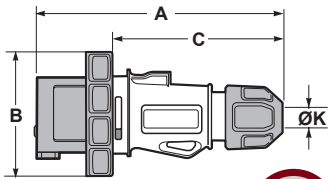


Ergonomic, robust, safe, fast and accurate connections.

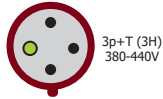


Application	Position of the earthing contact
Reefer Container installations	h 3

Container SpeedPRO IP67
mobile plug



Ref. / Item	Pack unit.
14308	4



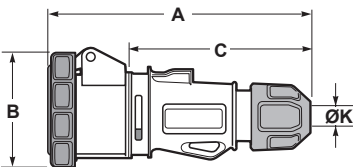
	32A
Poles	4
A	172
B	73
C	125
ØK	11,5-21
Connection type	Screw terminals
Wire flexible (mm²)	2,5 - 6
Weight (g)	123

- With screw terminals
- Housing material: PA6/ABS
- Contacts: Brass

IP67 Watertight



Container SpeedPRO IP67
mobile socket



Ref. / Item	Pack unit.
24308	3



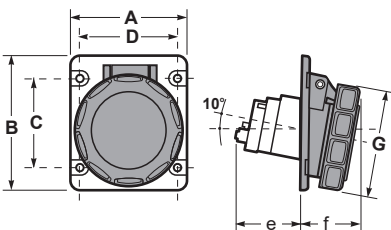
	32A
Poles	4
A	170
B	92
C	125
ØK	11,5-21
Connection type	Screw terminals
Wire flexible (mm²)	2,5 - 6
Weight (g)	315

- With screw terminals
- Housing material: PA6/ABS
- Contacts: Nickel-plated contacts

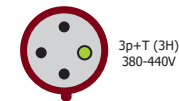
IP67 Watertight



Container SpeedPRO IP67 80x95
angled panel socket 10°



Ref. / Item	Pack unit.
24339	5



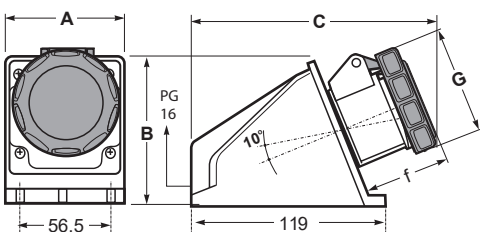
	32A
Poles	4
A	80
B	95
C	60
D	70
e	60
f	40
G	92
Connection type	Screw terminals
Wire flexible (mm²)	2,5 - 6
Weight (g)	215

- With screw terminals
- Housing material: PA6/ABS
- Contacts: Nickel-plated contacts

IP67 Watertight



Container SpeedPRO IP67
wall mounted socket



Ref. / Item	Pack unit.
24398	2



	32A
Poles	4
A	81
B	97
C	176
G	92
f	57
Connection type	Screw terminals
Wire flexible (mm²)	2,5 - 6
Weight (g)	335

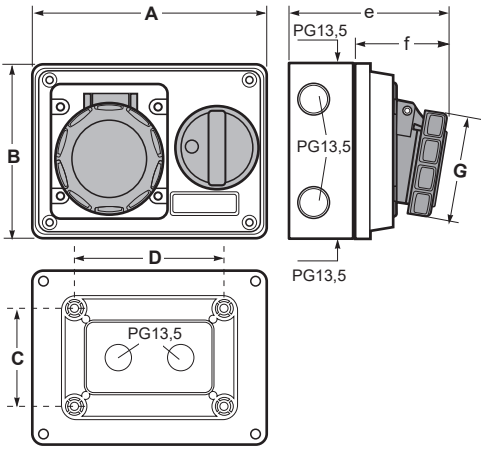
- With screw terminals
- Housing material: PA6/ABS
- Contacts: Nickel plated contacts
- Rear entry

IP67 Watertight



Dimensions in mm

Container SpeedPRO IP67
switched interlocked wall mounted socket horizontal



	32A
Poles	4
A	155
B	115
C	98
D	113
e	118
f	63
G	108
Connection type	Screw terminals
Wire flexible (mm²)	2,5 - 6
Weight (g)	614



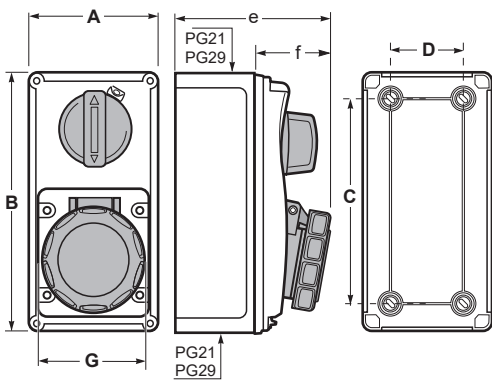
- With screw terminals
- Housing material: PA6/ABS
- Contacts: Nickel-plated contacts
- Mechanical interlocked



IP67 Watertight

Ref. / Item	Pack unit.
25136	1

Container SpeedPRO IP67
switched interlocked wall mounted socket vertical



	32A
Poles	4
A	90
B	180
C	169
D	79
e	114
f	63
G	108
Connection type	Screw terminals
Wire flexible (mm²)	2,5 - 6
Weight (g)	455



- With screw terminals
- Housing material: PA6/ABS
- Contacts: Nickel-plated contacts
- Mechanical interlocked

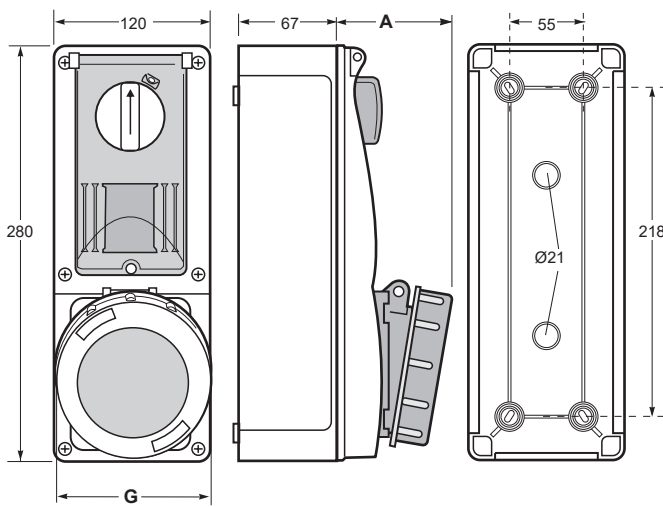
IP67 Watertight



Ref. / Item	Pack unit.
26028	1

Dimensions in mm

Container SpeedPRO IP67
switched interlocked wall mounted socket vertical



	32A
Poles	4
A	73,5
G	98
Connection type	Screw terminals
Wire flexible (mm ²)	2,5 - 6
Weight (g)	822

- With screw terminals
- Housing material: PA6/ABS
- Contacts: Nickel-plated contacts
- Mechanical interlocked

IP67 Watertight

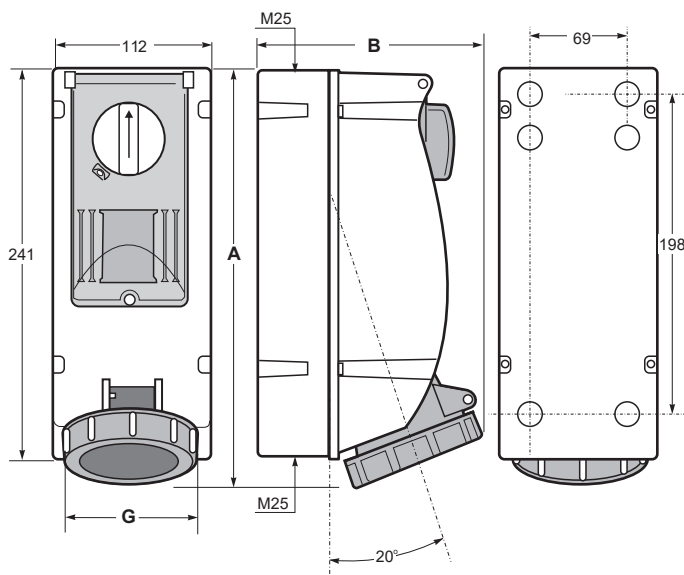


Ref. / Item	Pack unit.
26327	1

- If you want to order with Fuse Holder 10.3x38 50/60Hz, add *FH, eg. 26327FH
- If you want to order with MCB-Type C reactivable from the outside + Led warning light to signal the line connection, add *MCB, eg. 26327MCB

SWITCHED INTERLOCKED SOCKETS WITH DIN RAIL

Container SpeedPRO IP67
switched interlocked wall mounted socket with DIN rail



	32A
Poles	4
A	250
G	142
Connection type	Screw terminals
Wire flexible (mm ²)	2,5 - 6
Weight (g)	971

- With screw terminals
- Housing material: PA6/ABS
- Contacts: Nickel-plated contacts
- Mechanical interlocked
- With DIN-rail and hinged window for 4 modules

IP67 Watertight



Ref. / Item	Pack unit.
26514	1



- If you want to order with Fuse Holder 10.3x38 50/60Hz, add *FH, eg. 26514FH
- If you want to order with MCB-Type C reactivable from the outside + Led warning light to signal the line connection, add *MCB, eg. 26514MCB

Dimensions in mm

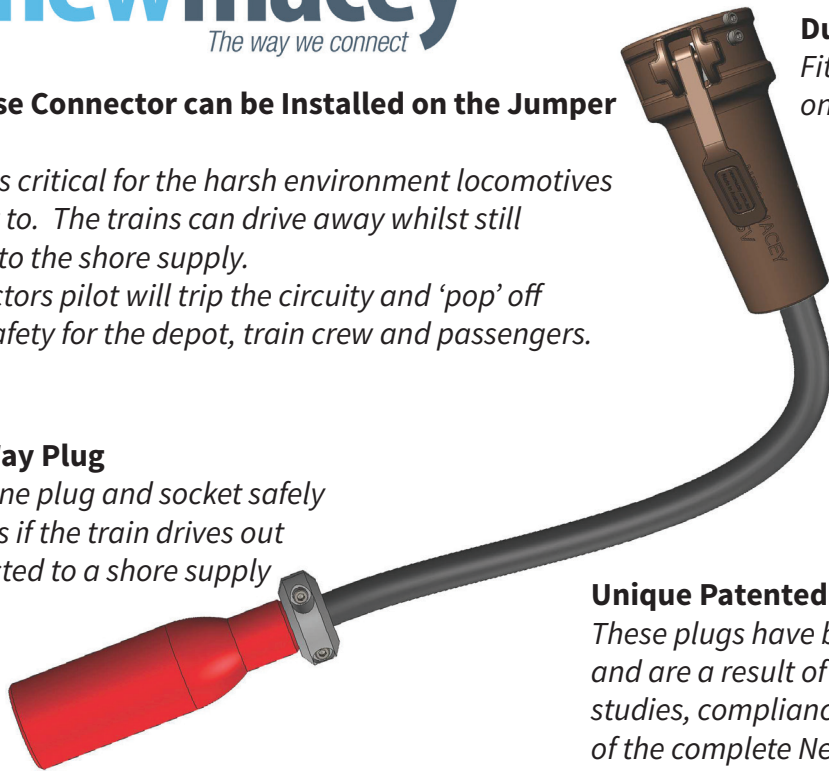


Any 3 Phase Connector can be Installed on the Jumper Lead

Durability is critical for the harsh environment locomotives are subject to. The trains can drive away whilst still connected to the shore supply. The connectors pilot will trip the circuitry and 'pop' off ensuring safety for the depot, train crew and passengers.

Break-A-Way Plug

Polyurethane plug and socket safely disconnects if the train drives out still connected to a shore supply unit.



Durable Bronze Connector
Fits existing couplings installed on Sydney locomotives.

415V

Unique Patented Design

These plugs have been custom designed, and are a result of extensive electrical safety studies, compliance regulations and are part of the complete New Macey Coupling solution.

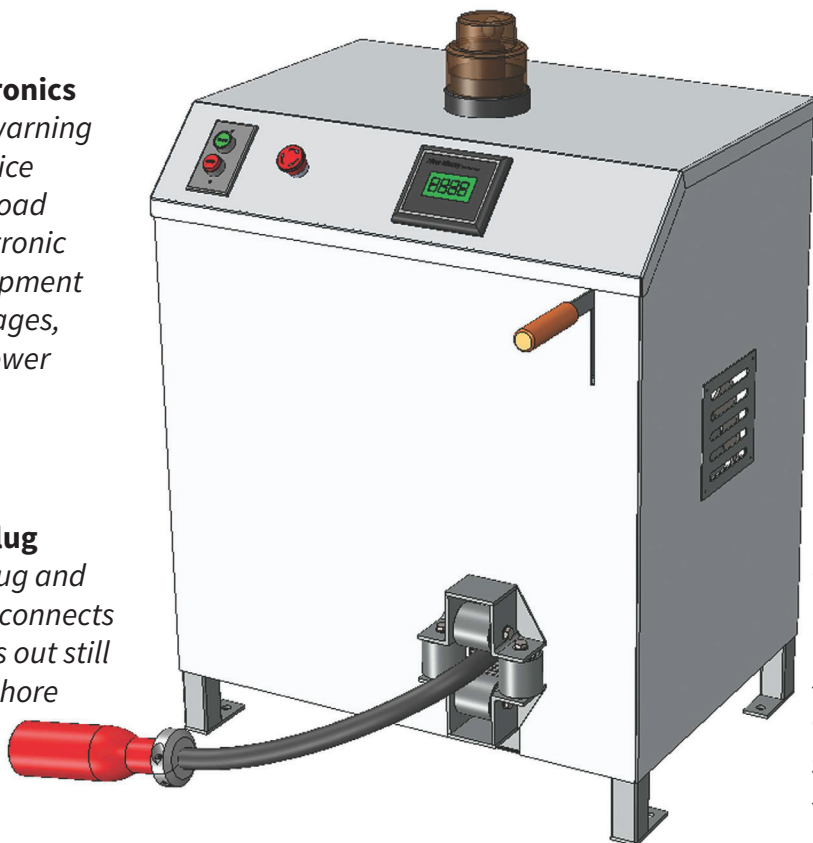
Break-A-Way Shore Supply Jumper // Interconnecting Break-a-way lead

Onboard Electronics

The units have warning lights for in-service operation, overload protection, electronic monitoring equipment to measure voltages, currents, and power consumption

Break-A-Way Plug

Polyurethane plug and socket safely disconnects if the train drives out still connected to a shore supply unit.



Warning Light

Indicates to operator

415V

Full Stainless Steel Design

Durability is critical for the harsh environment the locomotives are subject to. These units can be bolted to the ground for further stability.

Break-A-Way Shore Supply Unit // Retractable & non-retractable variations



CZ0552 Full plastic explosion-proof mobile power branch connection socket box



CZ0551 Explosion-proof combined power socket boxes



CZ0551 Full plastic Explosion-proof combined power socket boxes



- CZ0251-16A/2P, 3P, 4P, 5P
Plug, Wall type socket,
Coupler type socket, Panel type socket
- CZ0252-32A/4P, 5P
Plug, Wall type socket,
Coupler type socket, Panel type socket
- CZ0253-63A/4P, 5P
Plug, Wall type socket
- CZ0254-125A/4P, 5P
Plug, Wall type socket



CZ0555/8 Explosion-proof plug with transformer



CZ0555/7 Explosion-proof socket with transformer



CZ0551 Explosion-proof combined power socket boxes

famatel

PROFESSIONAL



famatel

Distributed by



TransNet NZ Limited
78 Cryers Road
East Tamaki
Auckland
NEW ZEALAND

p: +64 9 274 3340
f: +64 9 274 5490
e: sales@transnet.co.nz
w: www.transnet.co.nz